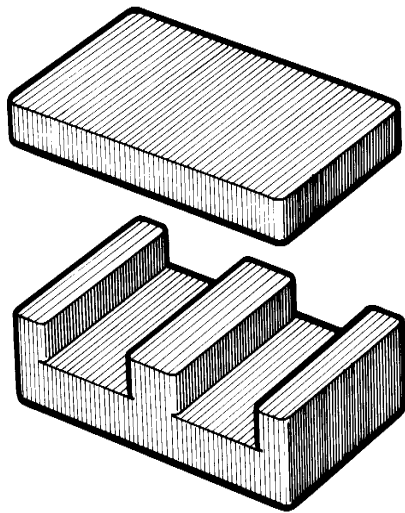
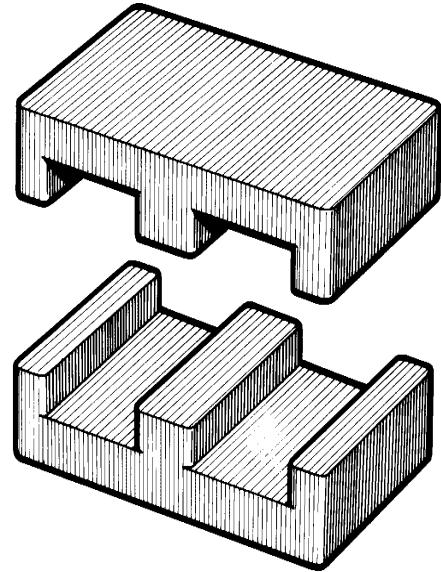


Planar E Series Components



EI Pair

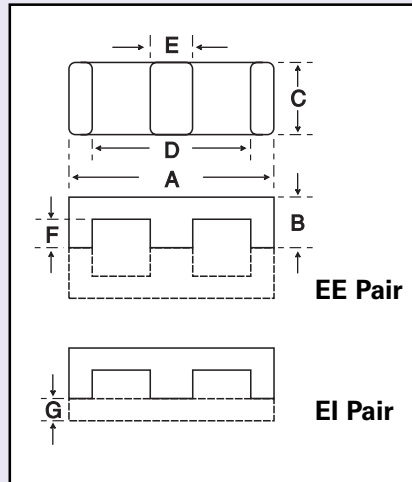
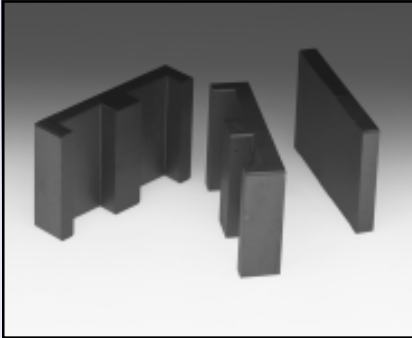


EE Pair

Planar E Cores

Many next generation electronics equipment will use switched mode power supplies where the voltage transformation unit is integrated on a circuit card. As cards may be racked with minimal clearances, low profile components are necessary. Planar assemblies differ radically from conventional transformers as wire windings are replaced by stacks of flat spiral laminations. In some cases the winding can be replaced by printing circuit tracks, with the E core inserted through the board. The planar E core's low profile shape and ease of construction offers significant advantages including: Fast error-free winding; excellent heat sinking properties and efficient repeatable performance at low cost.

E 14/3.5/5 32-9140-



Core Dimensions (mm)

A	13.70 - 14.30	F	1.90 - 2.20
B	3.40 - 3.60	G	1.45 - 1.55
C	4.80 - 5.10		
D	10.75 - 11.25		
E	2.75 - 3.05		

Core Parameters

In accordance with IEC Document 60205.

Parameter	$\Sigma l/A$	Effective Length	Effective Area	Minimum Area	Effective Volume
Symbol	C_1	l_e	A_e	A_{min}	V_e
EE Pair	1.43mm ⁻¹	20.70mm	14.50mm ²	-	300.00mm ³
EI Pair	1.16mm ⁻¹	16.70mm	14.50mm ²	-	240.00mm ³

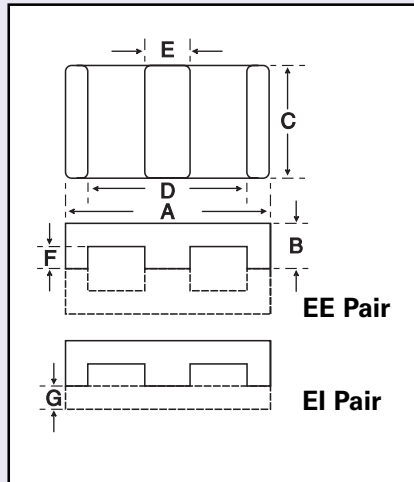
Electrical Specification

Material	A_L Value	Tolerance	Eff. Permeability	Part No. E Core	Part No. I Bar
E + E Pair					
F47	1100	+25/-25%	1250	32-9140-47	-
E + I Pair					
F47	1300	+25/-25%	1200	32-9140-47	33-9140-47

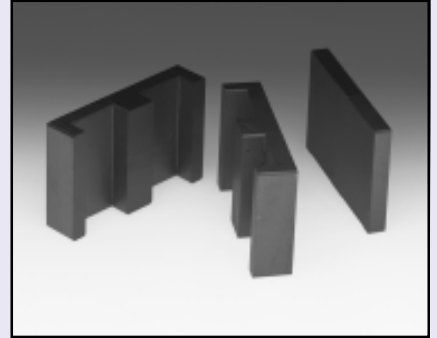
Part numbers refer to half cores. Other material grades and gap lengths may be available on request.

Core Dimensions (mm)

A	17.65 - 18.35	F	1.90 - 2.20
B	3.90 - 4.10	G	1.90 - 2.10
C	9.80 - 10.20		
D	13.70 - 14.30		
E	3.80 - 4.10		



E 18/4/10 32-9180-



Core Parameters

In accordance with IEC Document 60205.

Parameter	$\Sigma l/A$	Effective Length	Effective Area	Minimum Area	Effective Volume
Symbol	C_1	l_e	A_e	A_{min}	V_e
EE Pair	0.62mm ⁻¹	24.30mm	39.50mm ²	-	960.00mm ³
EI Pair	0.51mm ⁻¹	20.30mm	39.50mm ²	-	800.00mm ³

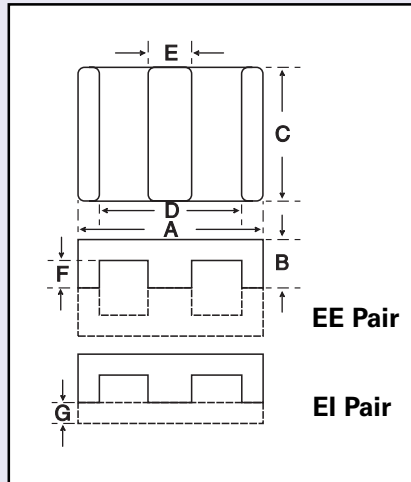
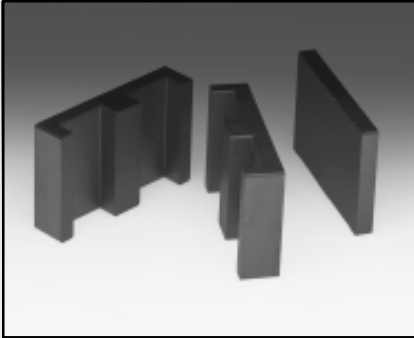
Electrical Specification

Material	A_L Value	Tolerance	Eff. Permeability	Part No. E Core	Part No. I Bar
E + E Pair					
F47	2700	+25/-25%	1330	32-9180-47	-
E + I Pair					
F47	3100	+25/-25%	1260	32-9180-47	33-9180-47

Part numbers refer to half cores. Other material grades and gap lengths may be available on request.

E 22/6/16

32-9210-



Core Dimensions (mm)

A	21.40 - 22.20	F	3.10 - 3.40
B	5.60 - 5.80	G	2.45 - 2.55
C	15.50 - 16.10		
D	16.40 - 17.20		
E	4.70 - 5.10		

Core Parameters

In accordance with IEC Document 60205.

Parameter	$\Sigma l/A$	Effective Length	Effective Area	Minimum Area	Effective Volume
Symbol	C_1	l_e	A_e	A_{min}	V_e
EE Pair	0.41mm ⁻¹	32.50mm	78.50mm ²	-	2550.00mm ³
EI Pair	0.33mm ⁻¹	26.10mm	78.50mm ²	-	2040.00mm ³

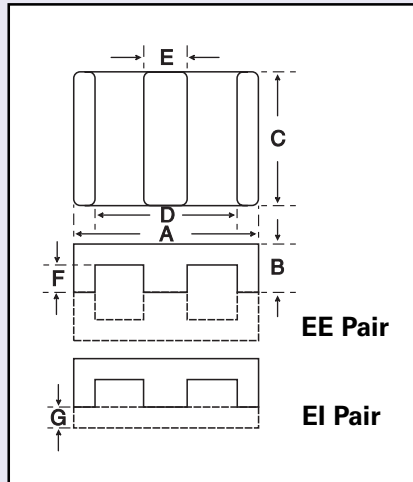
Electrical Specification

Material	A_L Value	Tolerance	Eff. Permeability	Part No. E Core	Part No. I Bar
E + E Pair					
F47	4300	+25/-25%	1405	32-9210-47	-
E + I Pair					
F47	5000	+25/-25%	1315	32-9210-47	33-9210-47

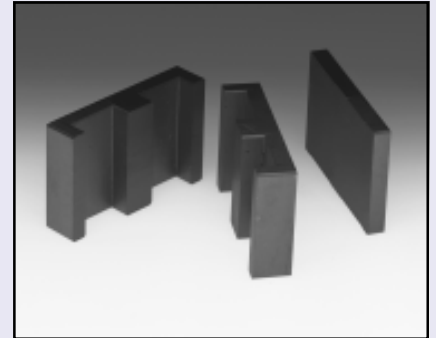
Part numbers refer to half cores. Other material grades and gap lengths may be available on request.

Core Dimensions (mm)

A	31.11 - 32.39	F	3.08 - 3.38
B	6.22 - 6.48	G	3.05 - 3.31
C	19.91 - 20.73		
D	24.90 - 25.90		
E	6.12 - 6.48		



E 32/6/20 32-9320-



Core Parameters

In accordance with IEC Document 60205.

Parameter	$\Sigma l/A$	Effective Length	Effective Area	Minimum Area	Effective Volume
Symbol	C_1	l_e	A_e	A_{min}	V_e
EE Pair	0.32mm ⁻¹	41.70mm	129.00mm ²	-	5380.00mm ³
EI Pair	0.28mm ⁻¹	35.90mm	129.00mm ²	-	4560.00mm ³

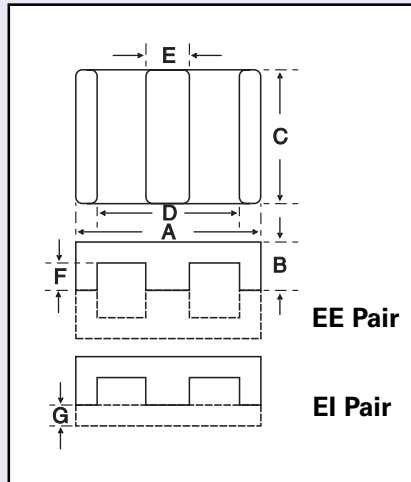
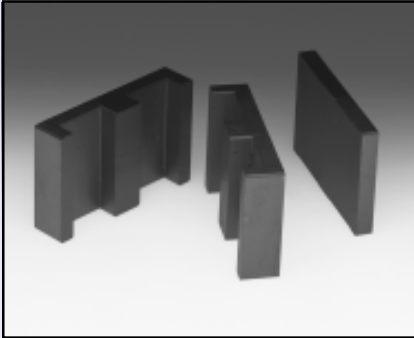
Electrical Specification

Material	A_L Value	Tolerance	Eff. Permeability	Part No. E Core	Part No. I Bar
E + E Pair					
F47	5900	+25/-25%	1500	32-9320-47	-
E + I Pair					
F47	6780	+25/-25%	1510	32-9320-47	33-9320-47
E + E Pair					
F44	6425	+25/-25%	1635	32-9320-44	-
E + I Pair					
F44	7350	+25/-25%	1635	32-9320-44	33-9320-44

Part numbers refer to half cores. Other material grades and gap lengths may be available on request.

E 38/8/25

32-9380-



Core Dimensions (mm)

A	37.34 - 38.86	F	4.32 - 4.72
B	8.13 - 8.39	G	3.68 - 3.94
C	24.89 - 25.91		
D	30.25 - 31.45		
E	7.40 - 7.80		

Core Parameters

In accordance with IEC Document 60205.

Parameter	Σ/A	Effective Length	Effective Area	Minimum Area	Effective Volume
Symbol	C_1	l_e	A_e	A_{min}	V_e
EE Pair	0.27mm ⁻¹	52.60mm	194.00mm ²	-	10200.00mm ³
EI Pair	0.23mm ⁻¹	43.70mm	194.00mm ²	-	8460.00mm ³

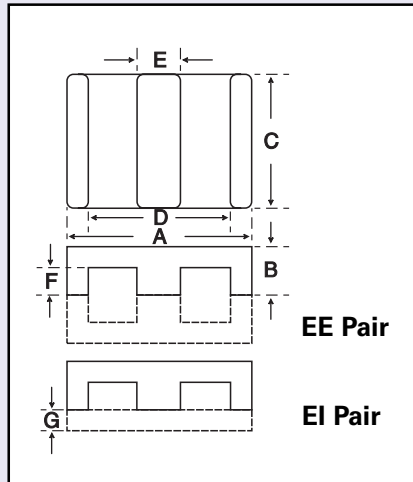
Electrical Specification

Material	A_L Value	Tolerance	Eff. Permeability	Part No. E Core	Part No. I Bar
E + E Pair					
F47	7250	+25/-25%	1550	32-9380-47	-
E + I Pair					
F47	8500	+25/-25%	1555	32-9380-47	33-9380-47
E + E Pair					
F44	7940	+25/-25%	1705	32-9380-44	-
E + I Pair					
F44	9290	+25/-25%	1700	32-9380-44	33-9380-44

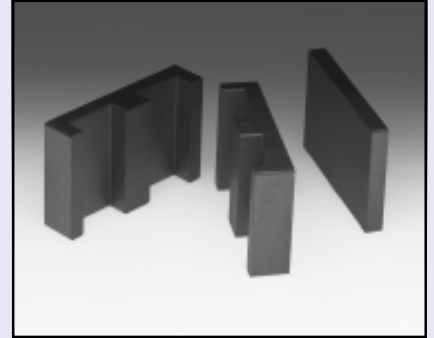
Part numbers refer to half cores. Other material grades and gap lengths may be available on request.

Core Dimensions (mm)

A	62.50 - 65.10	F	4.97 - 5.23
B	10.07 - 10.33	G	4.95 - 5.21
C	49.30 - 51.30		
D	52.50 - 54.70		
E	10.00 - 10.40		



E 64/10/50 32-9640-



Core Parameters

In accordance with IEC Document 60205.

Parameter	Σ/A	Effective Length	Effective Area	Minimum Area	Effective Volume
Symbol	C_1	l_e	A_e	A_{min}	V_e
EE Pair	0.16mm ⁻¹	79.70mm	511.00mm ²	-	40700.00mm ³
EI Pair	0.14mm ⁻¹	69.60mm	511.00mm ²	-	35500.00mm ³

Electrical Specification

Material	A_L Value	Tolerance	Eff. Permeability	Part No. E Core	Part No. I Bar
E + E Pair					
F47	12720	+25/-25%	1620	32-9640-47	-
E + I Pair					
F47	14360	+25/-25%	1600	32-9640-47	33-9640-47
E + E Pair					
F44	13300	+25/-25%	1695	32-9640-44	-
E + I Pair					
F44	15050	+25/-25%	1675	32-9640-44	33-9640-44

Part numbers refer to half cores. Other material grades and gap lengths may be available on request.