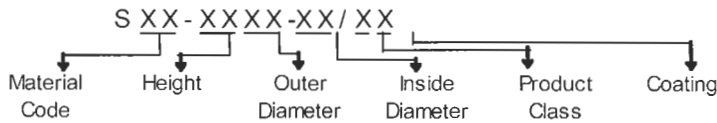
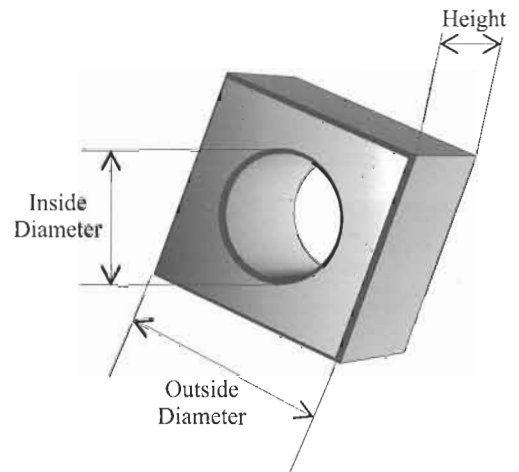


## Squaroids



Squaroids are toroids with a square-shaped outer dimension. Unlike toroids their square shape allows them to be mounted vertically on a board without using a header or mounting device. These cores can also be used in various applications including EMI suppressors, chokes, transformers and inductors. Squaroids also have a closed magnetic structure which confines magnetic flux within the core body giving the structure good shielding characteristics as well as optimal inductance to core volume ratio.



| MMG Part No.  | Units | Outside Diameter | Inside Diameter | Height | C1   | $L_e$ (cm) | $A_e$ (cm) | $V_e$ (cm) |
|---------------|-------|------------------|-----------------|--------|------|------------|------------|------------|
| S__-1A23-13/1 | in    | 0.073            | 0.038           | 0.045  | 84.2 | 0.413      | 0.005      | 0.202      |
|               | mm    | 1.854            | 0.965           | 1.143  |      |            |            |            |
| S__-1C22-10/1 | in.   | 0.072            | 0.035           | 0.047  | 73.0 | 0.392      | 0.005      | 0.211      |
|               | mm    | 1.829            | 0.889           | 1.194  |      |            |            |            |
| S__-4F22-10/1 | in.   | 0.072            | 0.035           | 0.155  | 22.1 | 0.392      | 0.005      | 0.202      |
|               | mm    | 1.829            | 0.889           | 3.937  |      |            |            |            |
| S__-202V-1K/1 | in.   | 0.100            | 0.055           | 0.070  | 59.1 | 0.583      | 0.005      | 0.286      |
|               | mm    | 2.540            | 1.397           | 1.778  |      |            |            |            |

### Standard Material Permeability

|               | FA1                                 | F52 | F53  | F9Q  | F9N  | F82  | FT6  | FT7  | FTA   |
|---------------|-------------------------------------|-----|------|------|------|------|------|------|-------|
|               | 370                                 | 850 | 1050 | 2300 | 4400 | 5000 | 6000 | 7500 | 10000 |
| MMG Part No.  | Nominal AL Values nH/N <sup>2</sup> |     |      |      |      |      |      |      |       |
| S__-1A23-13/1 | 55                                  | 127 | 157  | 343  | 657  | 746  | 896  | 1120 | 1493  |
| S__-1C22-10/1 | 64                                  | 146 | 181  | 396  | 758  | 861  | 1034 | 1292 | 1723  |
| S__-4F22-10/1 | 210                                 | 483 | 597  | 1307 | 2500 | 2841 | 3409 | 4261 | 5681  |
| S__-202V-1K/1 | 79                                  | 181 | 223  | 489  | 936  | 1063 | 1276 | 1595 | 2126  |