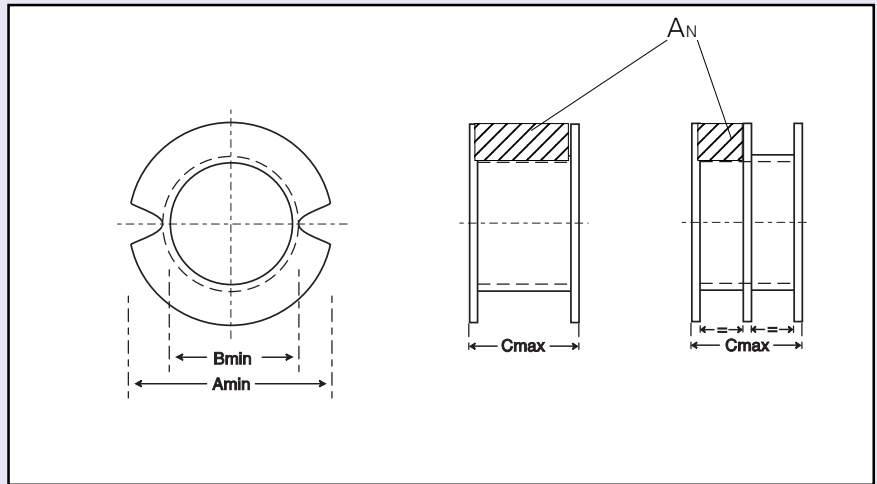
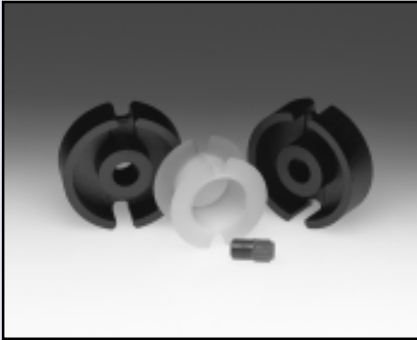


# Pot Core Bobbins 60-3/4/5/600-



Part No.	Core Type	Dimensions			Winding Data		No. of sections
		'A'	'B'	'C'	AN (mm <sup>2</sup> )	IN (mm)	
60-351-76	P9/5	7.40	4.00	3.50	3.60	19.20	Single
60-352-76					3.20	19.20	Double
60-401-76	P11/7	8.90	4.80	4.20	4.20	27.0	Single
60-402-76					3.80	22.00	Double
60-451-72	P14/9	11.50	6.10	5.40	8.60	28.00	Single
60-452-72					3.90	28.00	Double
60-501-72	P18/11	14.80	7.70	7.00	16.80	36.00	Single
60-502-72					7.80	36.00	Double
60-551-72	P22/13	17.80	9.60	9.00	25.00	44.00	Single
60-552-72					11.50	44.00	Double
60-601-72	P26/16	20.90	11.70	10.80	35.00	52.00	Single
60-602-72					16.00	52.00	Double
60-621-72	P30/19	24.70	13.70	12.80	51.00	60.00	Single
60-622-72					23.50	60.00	Double
60-651-72	P36/22	29.60	16.50	14.40	63.00	73.00	Single

The above components are manufactured in Polyacetal - colour white  
Maximum working temperature 110°C

The exception to this is the P9/5 and P11/7 which are moulded in Polyethelyne Teraphalate.

Half height bobbins for proximity sensors are also available on request.