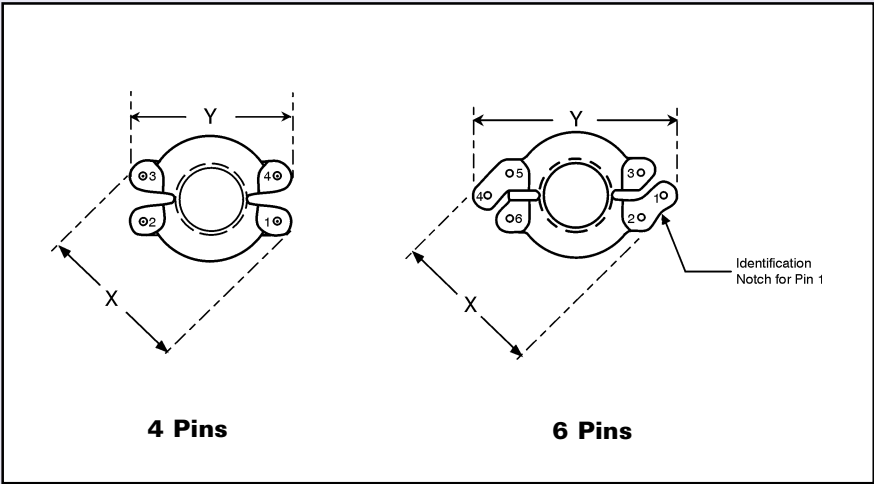
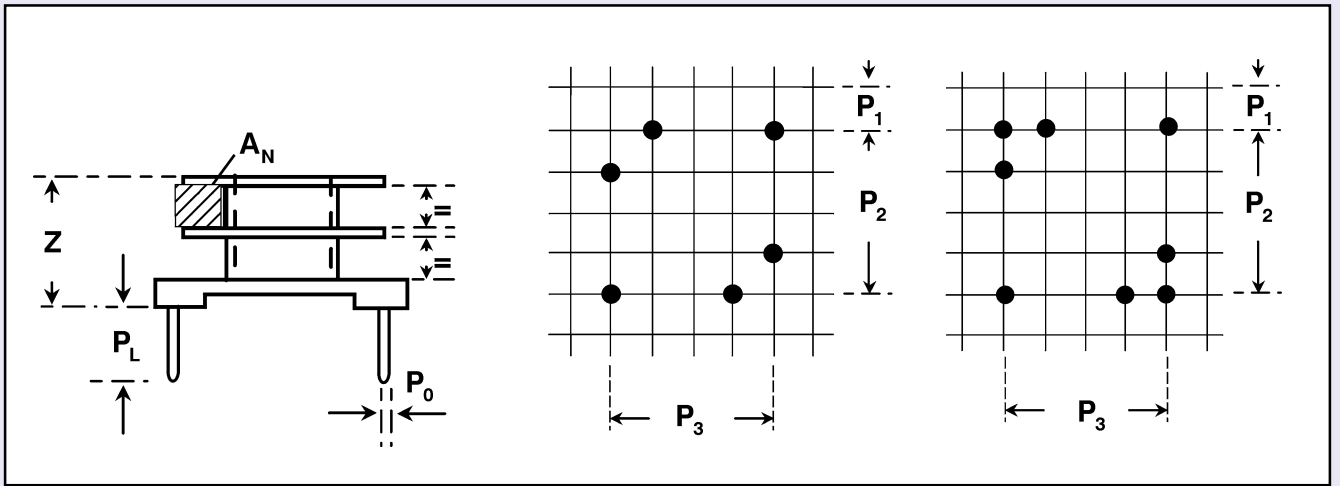


# RM Bobbins

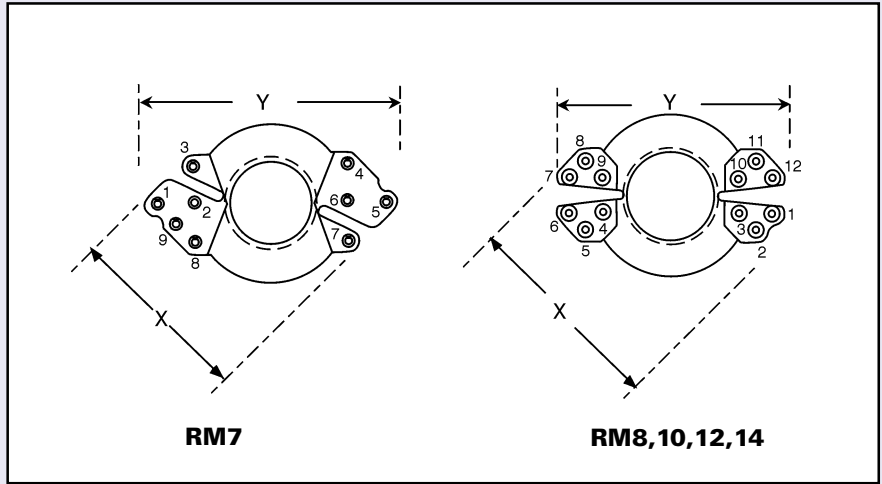


Part No.	Type	Dimensions			Winding Data		No. of sections
		'X'	'Y'	'Z'	A <sub>N</sub> (mm <sup>2</sup> )	I <sub>N</sub> (mm)	
60-901S64	RM4	9.7	9.4	755	7.7	20.0	1
60-904S64	RM4	9.7	9.4	755	3.65	20.0	2
60-903S64	RM4	9.7	12.8	755	7.7	20.0	1
60-906S64	RM4	9.7	12.8	755	3.65	20.0	2
60-701S64	RM5	12.5	12.9	6.90	9.50	25.0	1
60-703S64	RM5	12.5	12.9	6.90	4.35	25.0	2
60-702S64	RM5	12.5	16.2	6.90	9.50	25.0	1
60-704-64	RM5	12.5	16.2	6.90	4.35	25.0	2
60-731-64	RM6	15.0	16.6	8.50	15.0	30.0	1
60-734S64	RM6	15.0	16.6	8.50	7.0	30.0	2
60-7303-64	RM6	15.0	19.9	8.60	15.0	30.0	1
60-733-64	RM6	15.0	19.9	8.60	7.0	30.0	2
60-7313-64	RM6	15.0	19.9	8.60	15.0	30.0	2
60-736-64	RM6	15.0	19.9	8.60	7.0	30.0	2
60-951-64	R6	15.0	19.7	8.50	15.5	30.0	1



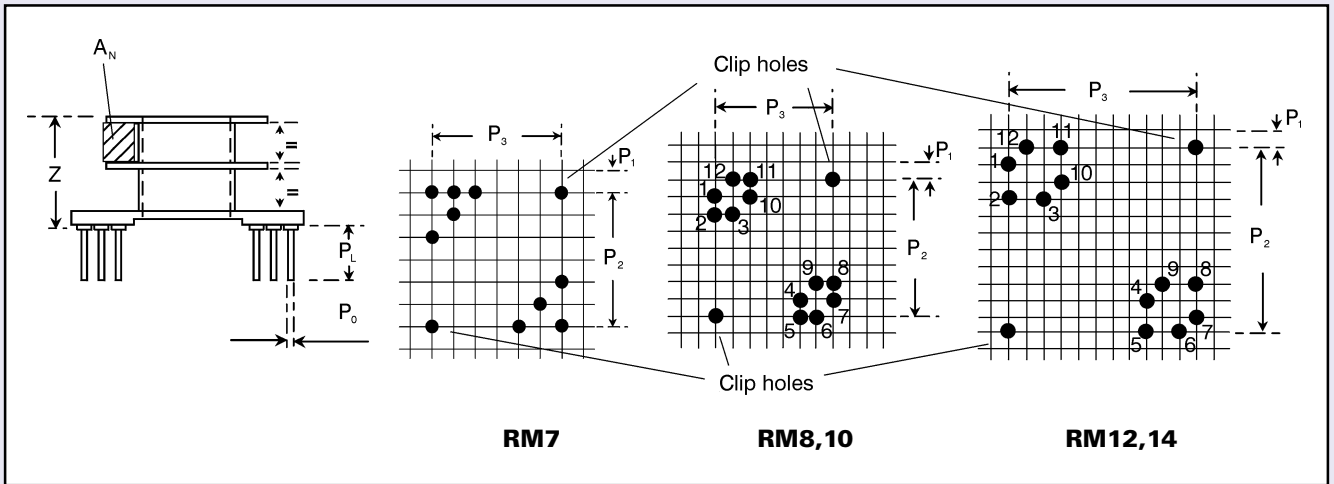
Pin Details						Material	Clip Part Number
No. of	$P_0$	$P_1$	$P_2$	$P_3$	$P_L$		
4	0.45	2.54	762	762	4.5	Glass filled Phenolic	76-024-95
4	0.45	2.54	762	762	4.5	Glass filled Phenolic	76-024-95
6	0.45	2.54	762	762	4.5	Glass filled Phenolic	76-024-95
6	0.45	2.54	762	762	4.5	Glass filled Phenolic	76-024-95
4	0.45	2.54	10.16	10.16	4.5	Glass filled Phenolic	76-024-95
4	0.45	2.54	10.16	10.16	4.5	Glass filled Phenolic	76-024-95
6	0.5	2.54	10.16	10.16	4.5	Glass filled Phenolic	76-024-95
6	0.5	2.54	10.16	10.16	4.5	Glass filled Phenolic	76-024-95
4	0.6	2.54	12.7	12.7	5.0	Glass Filled Phenolic	76-020-95
4	0.6	2.54	12.7	12.7	5.0	Glass Filled Phenolic	76-020-95
6	0.6	2.54	12.7	12.7	5.0	Glass Filled Phenolic	76-020-95
6	0.6	2.54	12.7	12.7	5.0	Glass Filled Phenolic	76-020-95
6	0.6	2.54	12.7	12.7	5.0	Glass Filled Phenolic	76-020-95
6	0.6	2.54	12.7	12.7	5.0	Glass Filled Phenolic	76-020-95
6	0.6	2.54	12.7	12.7	6.50	Glass Filled Phenolic	76-020-95

# RM Bobbins



Part No.	Type	Dimensions			Winding Data		No. of sections
		'X'	'Y'	'Z'	A <sub>N</sub> (mm <sup>2</sup> )	I <sub>N</sub> (mm)	
60-7601-64	RM7	172	16.2	9.2	21.4	35.6	1
60-7604-64	RM7	172	23.3	9.2	21.4	35.6	1
60-760-64	RM7	171	23.4	9.2	21.4	35.6	1
60-7902-64	RM8	20.0	24.6	12.0	30.0	42.0	1
60-790-64	RM8	20.0	24.6	12.0	30.0	42.0	1
60-792-64	RM8	20.0	24.6	12.0	30.0	42.0	1
60-792A64	RM8	20.0	24.6	12.0	30.0	42.0	1
60-795-64	RM8	20.0	24.6	12.0	14.2	42.0	2
60-793-64	RM8	20.0	24.6	12.0	30.0	42.0	1
60-796-64	RM8	20.0	24.6	12.0	14.2	42.0	2
60-822-64	RM10	25.5	26.8	13.3	41.5	52	1
60-825-64	RM10	25.5	26.8	13.3	19.5	52	2
60-823-64	RM10	25.5	26.8	13.3	41.5	52	1
60-826-64	RM10	25.5	26.8	13.3	19.5	52	2
60-930-64	RM12i	30.0	38.2	18.0	73	61.0	1
60-881-64	RM14i	35.5	41.9	21.5	107	71.0	1
60-882-64	RM14i	35.5	41.9	21.5	107	71.0	1

All bobbins are manufactured in Glass reinforced flame resistant Phenolic (See Plastics section for material specifications).  
Pin solderability to I.E.C 68-2-20B Test T.



Pin Details						Pin Configuration	Clip Part Number
No. of	P <sub>0</sub>	P <sub>1</sub>	P <sub>2</sub>	P <sub>3</sub>	P <sub>L</sub>		
4	0.60	2.54	15.24	15.24	6.0	3,4,7,8	76-021-95
8	0.60	2.54	15.24	15.24	6.0	1,2,3,4,5,6,7,8	76-021-95
5	0.60	2.54	15.24	15.24	6.3	3,4,5,7,9	76-021-95
5	0.60	2.54	17.78	17.78	5.5	1,2,5,8,11	76-022-95
8	0.60	2.54	17.78	17.78	5.5	1,2,5,6,7,8,11,12	76-022-95
8	0.60	2.54	17.78	17.78	5.0	1,3,4,6,7,9,10,12	76-022-95
8	0.60	2.54	17.78	17.78	7.2	1,3,4,6,7,9,10,12	76-022-95
8	0.60	2.54	17.78	17.78	5.0	1,3,4,6,7,9,10,12	76-022-95
12	0.60	2.54	17.78	17.78	5.0	All	76-022-95
12	0.60	2.54	17.78	17.78	5.5	All	76-022-95
8	0.70	2.54	20.32	20.32	5.5	1,3,4,6,7,9,10,12	76-023-95
8	0.70	2.54	20.32	20.32	5.5	1,3,4,6,7,9,10,12	76-023-95
12	0.70	2.54	20.32	20.32	5.5	All	76-023-95
12	0.70	2.54	20.32	20.32	5.5	All	76-023-95
12	0.83	2.54	27.94	27.94	6.3	All	76-085-95
10	0.85	2.54	33.02	33.02	6.3	1,2,3,4,6,7,9,10,11,12	76-086-95
12	0.85	2.54	33.02	33.02	6.3	All	76-086-95

# RM Power Bobbins

**Material:**

Glass fibre re-inforced PETP

**Flammability:**

Meets UL94V-0

**Temp. class:**

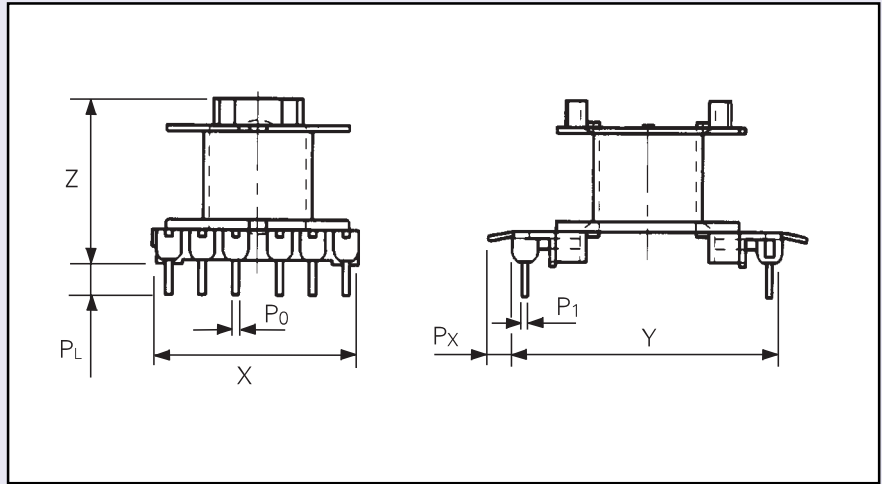
H, 180°C

**Pin material:**

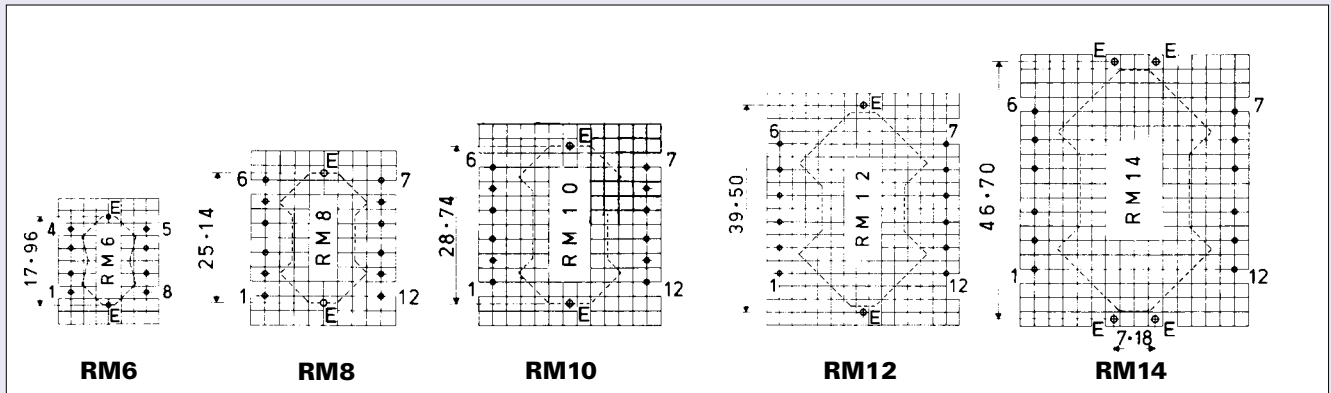
Tinned bronze

**Max. soldering temp:**

350°C, 2 secs.



Part No.	Type	Dimensions			Winding Data		No. of sections
		'X'	'Y'	'Z'	A <sub>N</sub> (mm <sup>2</sup> )	I <sub>N</sub> (mm)	
60-750-76	RM6	15.6	18.3	13.0	15	30	1
60-810-76	RM8	23.3	23.3	16.6	30	42	1
60-850-76	RM10	23.2	31.0	19.3	42	52	1
60-940-76	RM12i	28.4	36.1	23.5	72	61	1
60-980-76	RM14i	31.6	38.7	28.5	106	72	1



Part No.	Pin Details					Clip Part Number
	No. of	P <sub>0</sub>	P <sub>1</sub>	P <sub>L</sub>	P <sub>X</sub>	
60-750-76	8	0.8	0.3	4.0	2.5	76-020-95
60-810-76	12	0.8	0.3	3.8	2.0	76-022-95
60-850-76	12	0.8	0.3	3.3	2.8	76-023-95
60-940-76	12	0.8	0.3	3.5	2.5	76-085-95
60-980-76	12	0.8	0.3	3.2	2.5	76-086-95

